



Alfa Laval M15

Gasketed plate heat exchanger for a wide range of applications

Introduction

Alfa Laval Industrial line is a wide product range that is used in virtually all types of industry.

Suitable for a wide range applications, this model is available with a large selection of plate and gasket types.

In addition to normal single plate configuration, this model is also available with double wall plates. Double wall plates are used as an extra precaution to avoid intermixing of fluids.

Applications

- Biotech and Pharmaceutical
- Chemicals
- Energy and Utilities
- Food and Beverages
- Home and Personal care
- HVAC and Refrigeration
- Machinery and Manufacturing
- Marine and Transportation
- Mining, Minerals and Pigments
- Pulp and Paper
- Semiconductor and Electronics
- Steel
- Water and Waste treatment

Benefits

- High energy efficiency – low operating cost
- Flexible configuration – heat transfer area can be modified
- Easy to install – compact design
- High serviceability – easy to open for inspection and cleaning and easy to clean by CIP
- Access to Alfa Laval's global service network

Features

Every detail is carefully designed to ensure optimal performance, maximum uptime and easy maintenance. Selection of available features, depending on configuration some features may not be applicable:



- Five-point alignment
- Corner guided alignment system
- Chocolate pattern distribution area
- Glued gasket



- Clip-on gasket
- Leak chamber
- Bearing boxes
- Fixed bolt head
- Key hole bolt opening
- Lifting lug
- Lining
- Lock washer
- Pressure plate roller
- Tightening bolt cover

Alfa Laval 360° Service Portfolio

Our extensive service offering ensure top performance from your Alfa Laval equipment throughout its life cycle. The Alfa Laval 360 Service Portfolio include installation services, cleaning and repair as well as spare parts, technical documentation and trouble shooting. We also offer replacement, retrofit, monitoring and much more.

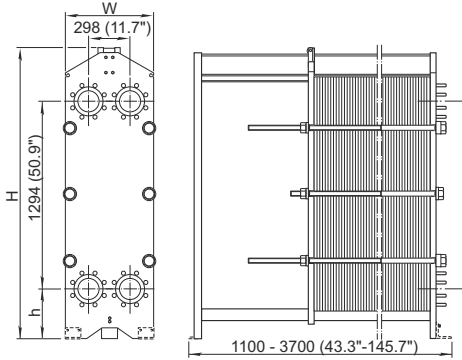
For information about our complete service offering and how to contact us - please visit www.alfalaval.com/service.

General remarks for technical information

- The global offering presented in this leaflet may not be available for all regions
- All combinations may not be configurable

Dimensional drawing

Measurements mm (inches)



Type	H	W	h
M15-FL	1815 (71.5")	610 (24.0")	275 (10.8")
M15-FM	max. 1941 (76.4")	610 (24.0")	275 (10.8")
M15-FG	max. 1941 (76.4")	650 (25.6")	275 (10.8")
M15-FD	max. 2036 (80.2)	650 (25.6")	370 (14.6")

The number of tightening bolts may vary depending on pressure rating.

Technical data

Plates	Type	Free channel, mm (inches)
M15-B	Single plate	2.5 (0.098)
M15-M	Single plate	4.0 (0.16)
M15-BD	Double wall plate	2.5 (0.098)

Materials

	304/304L, 316/316L, 904L, 254
Heat transfer plates	C-276, C-2000 825 Ni, Ti, TiPd
Field gaskets	NBR, EPDM, FKM, Q, HeatSeal
	Carbon steel
Flange connections	Metal lined: stainless steel, titanium Rubber lined: NBR, EPDM
Frame and pressure plate	Carbon steel, epoxy painted

Other materials may be available on request

Operational data

Frame, PV-code	Max. design pressure (barg/psig)	Max. design temperature (°C/°F)
FL, pvcALS	6.0/87	130/266
FM, pvcALS	10.0/145	180/356
FM, PED	10.0/145	180/356
FG, pvcALS	16.0/232	180/356

This document and its contents are subject to copyrights and other intellectual property rights owned by Alfa Laval Corporate AB. No part of this document may be copied, re-produced or transmitted in any form or by any means, or for any purpose, without Alfa Laval Corporate AB's prior express written permission. Information and services provided in this document are made as a benefit and service to the user, and no representations or warranties are made about the accuracy or suitability of this information and these services for any purpose. All rights are reserved.

CHE00073-3-EN-GB

© Alfa Laval Corporate AB

How to contact Alfa Laval

Up-to-date Alfa Laval contact details for all countries are always available on our website at www.alfalaval.com

Frame, PV-code	Max. design pressure (barg/psig)	Max. design temperature (°C/°F)
FG, ASME	11.7/170	250/482
FG, PED	16.0/232	180/356
FD, pvcALS	30.0/435	180/356
FD, ASME	20.7/300	180/356
FD, PED	30.0/435	180/356

Extended pressure and temperature rating may be available on request.

Flange connections

Frame model	Connection standard
FL, pvcALS	EN 1092-1 DN150 PN10
	JIS B2220 10K 150A
FM, pvcALS	EN 1092-1 DN150 PN10
	ASME B16.5 Class 150 NPS 6 JIS B2220 10K 150A
FM, PED	EN 1092-1 DN150 PN10
	ASME B16.5 Class 150 NPS 6
FG, pvcALS	EN 1092-1 DN150 PN16
	ASME B16.5 Class 150 NPS 6 JIS B2220 16K 150A
FG, ASME	ASME B16.5 Class 150 NPS 6
FG, PED	EN 1092-1 DN150 PN16
	ASME B16.5 Class 150 NPS 6
FD, pvcALS	EN 1092-1 DN150 PN25
	ASME B16.5 Class 300 NPS 6 JIS B2220 20K 150A
FD, ASME	ASME B16.5 Class 300 NPS 6
FDc, ASME	
FD, PED	EN 1092-1 DN200 PN25
	ASME B16.5 Class 300 NPS 6

Standard EN1092-1 corresponds to GOST 12815-80 and GB/T 9115.